

DS-2TP21B-6AVF/W

Thermographic Handheld Camera



- Resolution: 160 × 120 Thermal, 8 MP Optical
- Thermographic Accuracy up to $\pm 0.9^{\circ}\text{F}$ ($\pm 0.5^{\circ}\text{C}$) at 3.3 ft to 6.6 ft (1.0 m to 2.0 m)
- Display Fusion of Thermal and Optical Views
- 640 × 480 Resolution 3.5" LCD Touch Display
- Supports Live View on PC or Mobile Device
- Supports Audio Intercom
- Supports Color Highlight Alarm and Audio Alarm

The Hikvision DS-2TP21B-6AVF/W Thermographic handheld camera is specially designed for temperature measurement applications, where heat leaks and other abnormal changes in temperature must be identified.

It is equipped with a 160×120 resolution thermal detector and 8 MP optical resolution. It combines thermal and optical images into a fusion display.

Available Models:

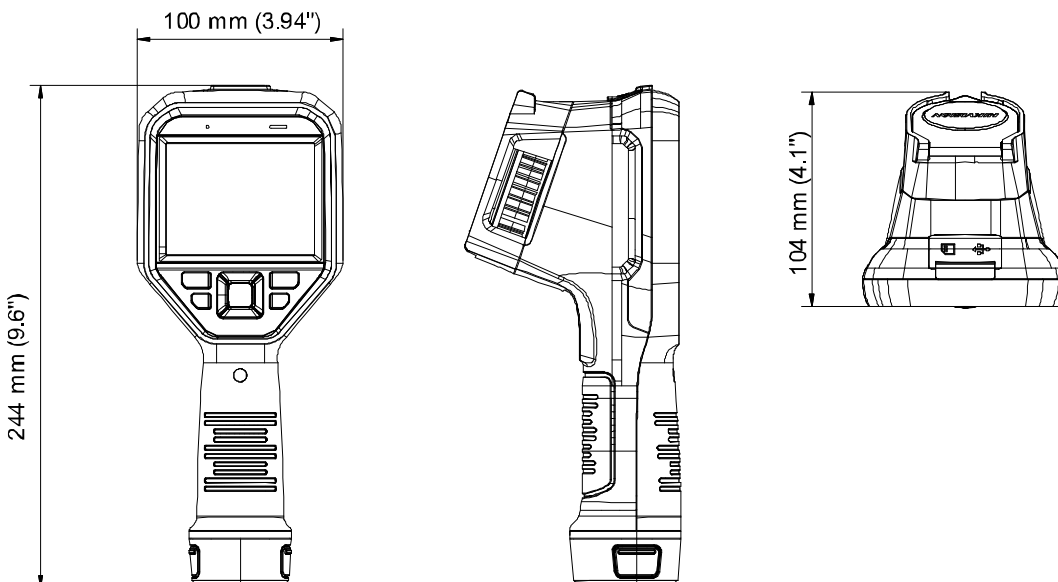
DS-2TP21B-6AVF/W



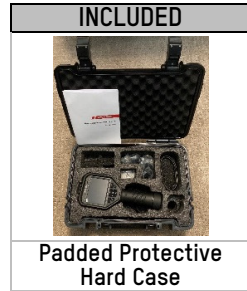
Specifications

DS-2TP21B-6AVF/W	
Thermal Module	
Image Sensor	Uncooled focal plane arrays
Resolution	25 Hz: 160 × 120
Pixel Pitch	17 μm
Response Waveband	8 μm to 14 μm
NETD	<40 mK (@ 25° C, F#=1.0)
Field of View	25° × 18.7°
Focal Length	6.2 mm (manual focus)
IFOV	2.74 mrad
Aperture	f/1.1
Optical Module	
Picture Resolution	Configurable: 2 MP, 5 MP, 8 MP
Video Resolution	640 × 480
Monitor	640 × 480 resolution 3.5" LCD touch display
Palettes	Black hot, white hot, red hot, rainbow, ironbow, fusion, rain
Image Display	
Digital Zoom	Thermal: 1x, 2x, 4x
Thermal/Optical	Thermal/optical/fusion image/picture-in-picture
Picture-in-Picture	Supports thermal view in optical view
Fusion	Supports thermal view and optical view combined
Record Video	Supports on-board video recording
Thermography	
Rules	Maximum temperature; minimum temperature; center temperature; custom point/line/area thermography
Accuracy	±0.9° F (±0.5° C) at 3.3 ft to 6.6 ft (1.0 m to 2.0 m)
Recommended Subject Distance	3' 4" to 6' 7" (1 m to 2 m)
Battery	
Battery Type	Removable, li-ion battery rechargeable via USB-C port
Battery Operating Time	5 hours in normal temperature, with Wi-Fi and Bluetooth off 4 hours in normal temperature, with Wi-Fi and Bluetooth on
Storage	Built-in microSD slot, 128 GB maximum (16 GB pre-installed), which can be accessed via PC through the USB-C port
Photo	Thermal/optical/fusion image
Video	Thermal/optical/fusion image
Wi-Fi	Supported
Text Comment	Supported
Voice Comment	Supported
Language	English
General	
Power	5 VDC/2 A
Power Consumption	Maximum 4.5 W
Hardware Interface	USB-C
Working Temperature	50° to 95° F (10° to 35° C) indoor and windless environment use only
Protection Level	IP54
Drop Test Height	6.56 ft (2 m)
Display Interface	LCD touchscreen
Mounting Option	¼ tripod screw
Dimensions	9.6" × 3.9" × 4.1" (244 mm × 100 mm × 104 mm)
Weight	With battery: 1.44 lb (653 g) Without battery: 1.13 lb (511 g)

Dimensions



Accessories



Box Contents (Subject To Change)

User manual
5 V @ 2.0 A power supply
Power plug adapters (6 types)
USB-C cable (USB-C to USB-A)
Wrist strap (pre-installed)
3.7 V, 5000 mAh li-ion battery (pre-installed)
16 GB microSDHC card (pre-installed)
Protective hard case



Brown Enterprise Solutions: 5935 Wilcox Place, Suite-E Dublin, Ohio 43016
Phone: (614) 588-0248 Fax: (614) 588-0272 Email: sales@besolutions.org